

# FIRST® LEGO® League 2020 Model overview



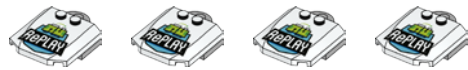
Precision tokens



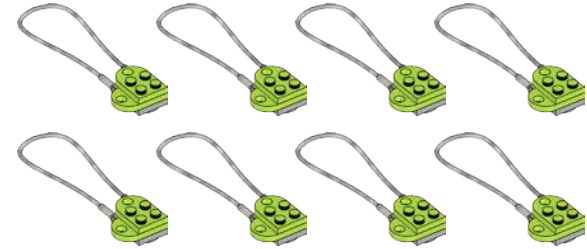
Yellow game cubes



Blue game cubes



Coach pins



Health units



Green game cubes



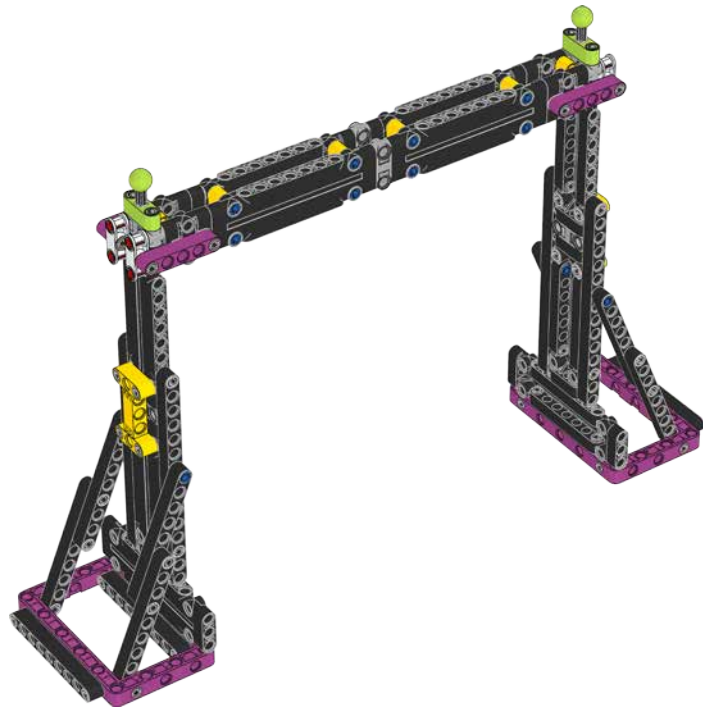
Red game cubes



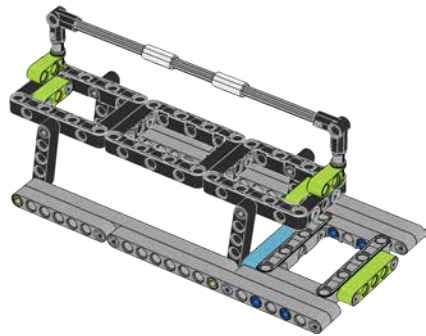
Cell phone

45813

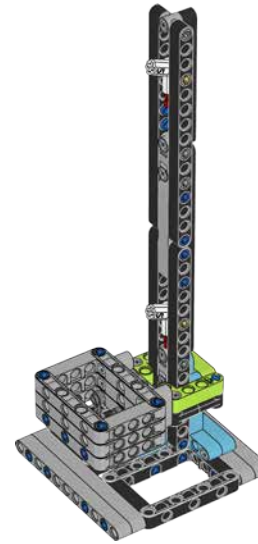




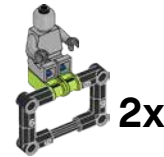
**Pull-up bar**



**Bench**

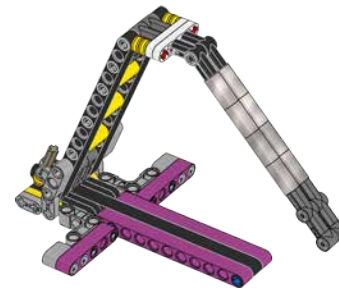


**Basketball post**

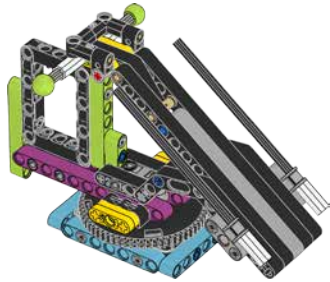


**2x**

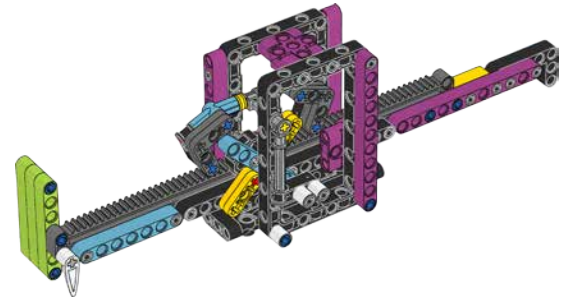
**Slide figures**



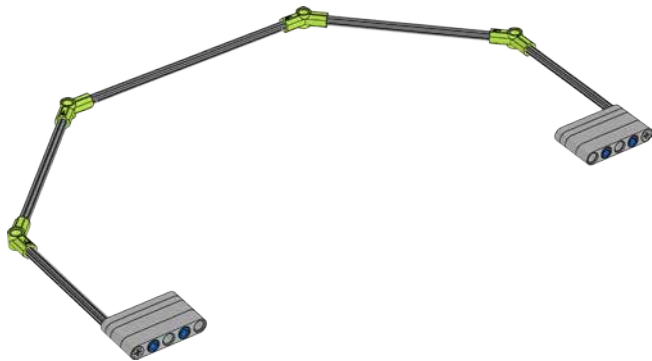
**Slide**



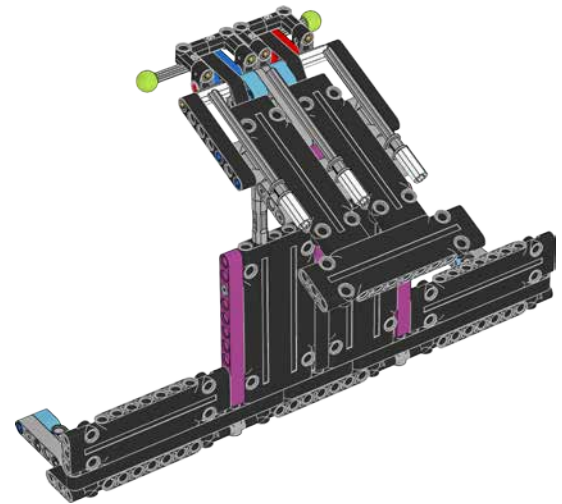
**Boccia aim**



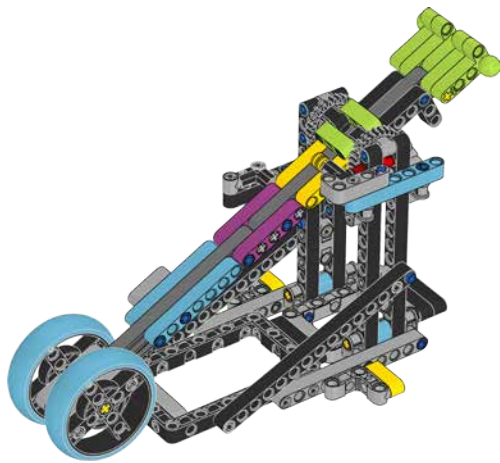
**Step counter**



**Boccia frame**



**Boccia share**



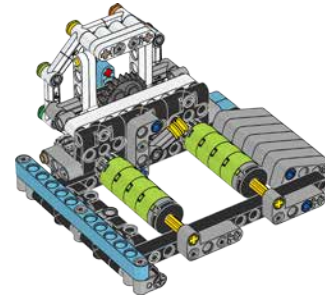
**Weight machine**



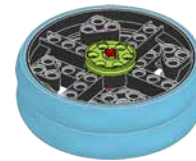
**Rowing machine**



**Season tiles**



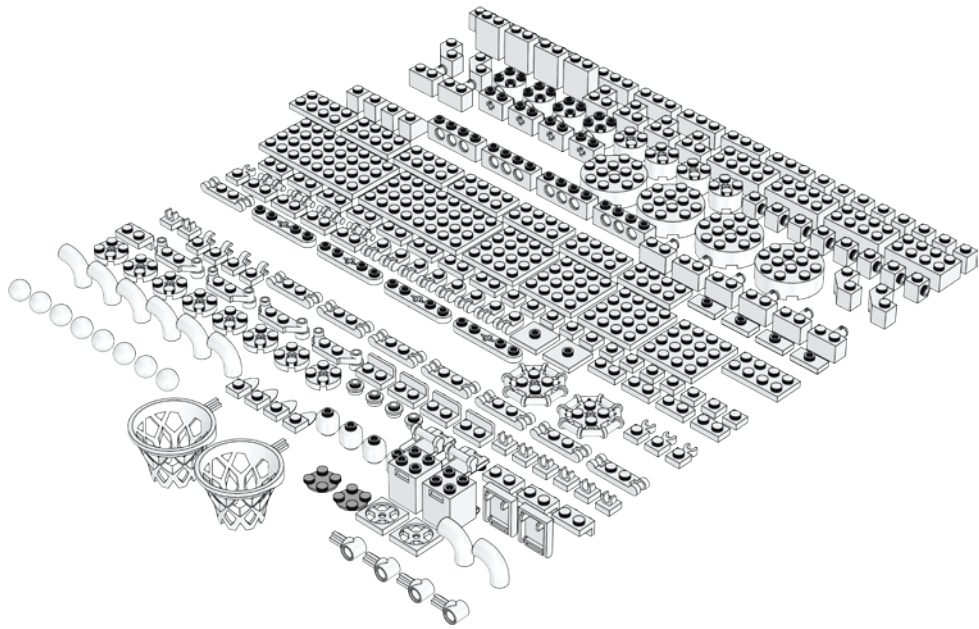
**Treadmill**



**Light tire flip**



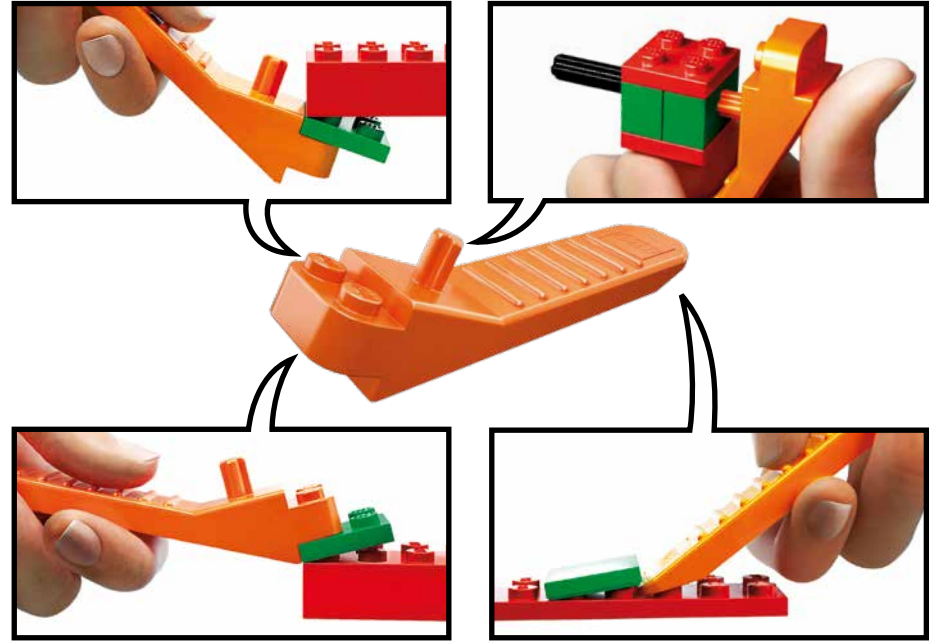
**Heavy tire flip**



**White bricks**



**Colored health units**



[LEGO.com/brickseparator](https://LEGO.com/brickseparator)

LEGO and the LEGO logo are trademarks of the/son des marques de commerce du/son marcas registradas de LEGO Group. ©2020 The LEGO Group.

FIRST® is a registered trademark of For Inspiration and Recognition of Science and Technology (FIRST). LEGO® is a registered trademark of the LEGO Group. FIRST® LEGO® League are jointly held trademarks of FIRST and the LEGO Group. ©2020 FIRST and the LEGO Group. All rights reserved.