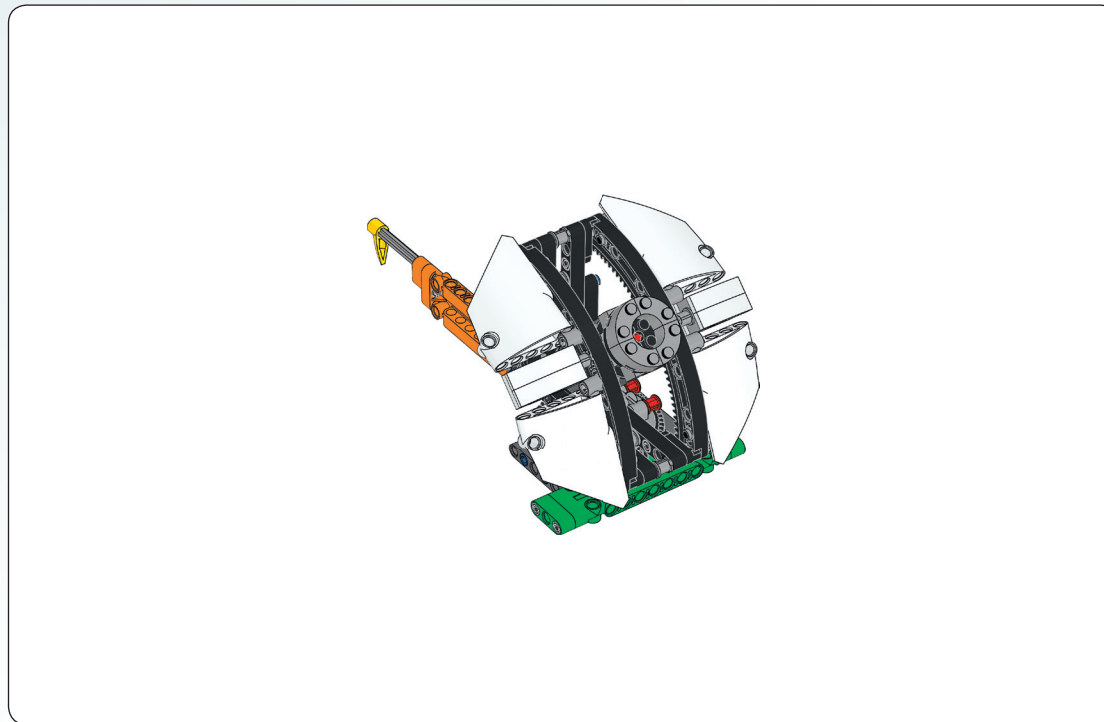
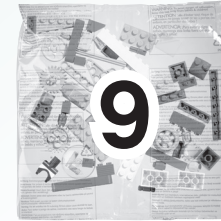


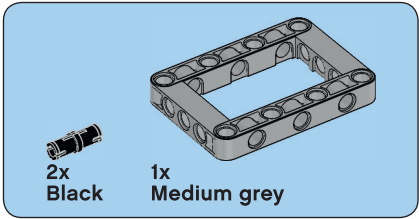
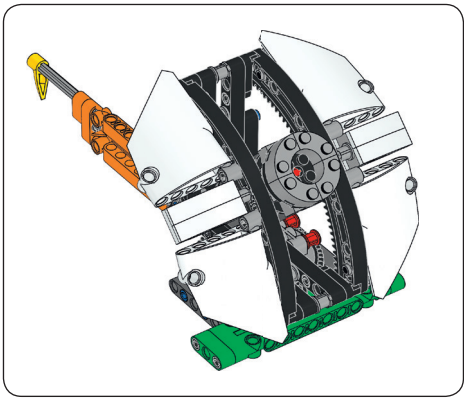
1x  
Black

+

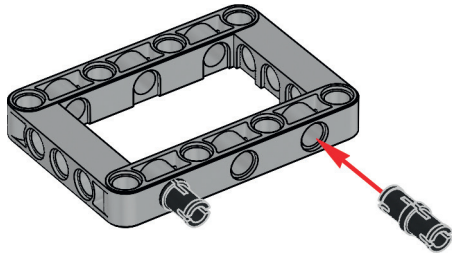


1x

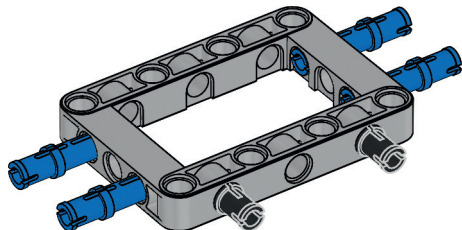


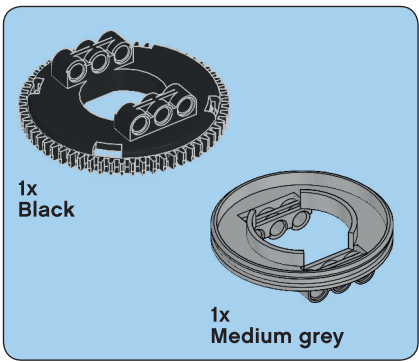


1

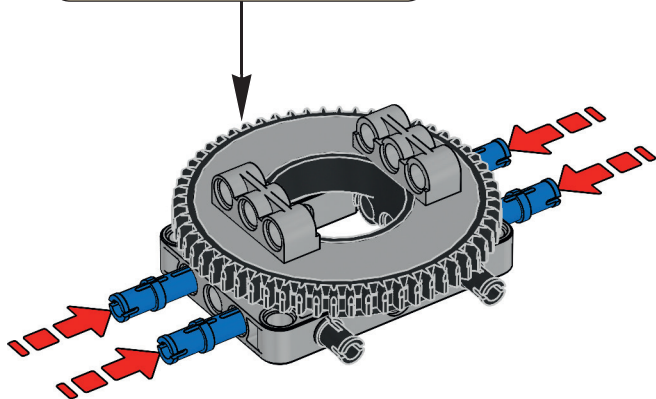
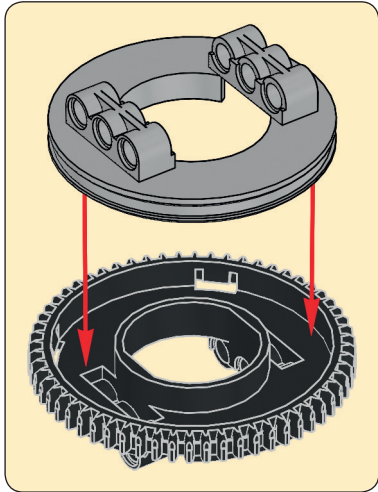


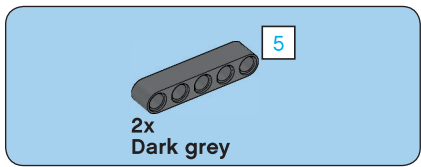
2



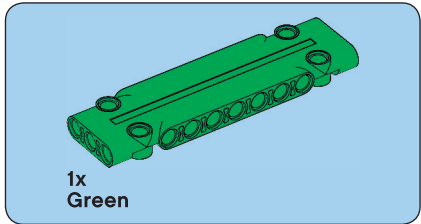
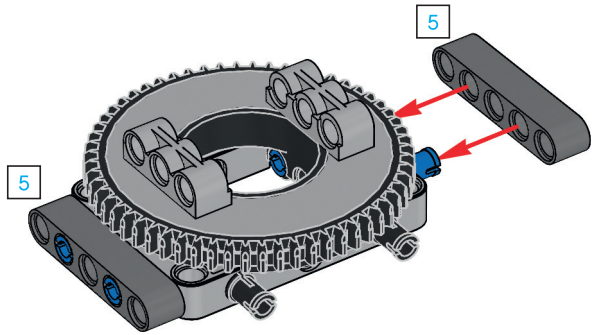


3

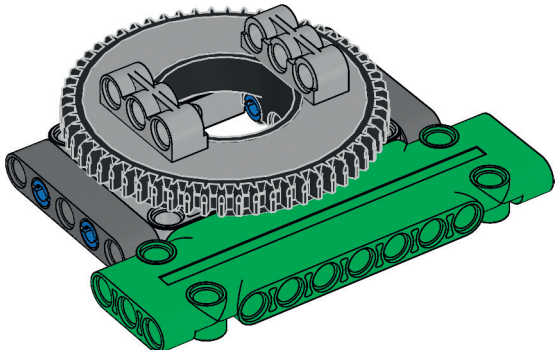




4



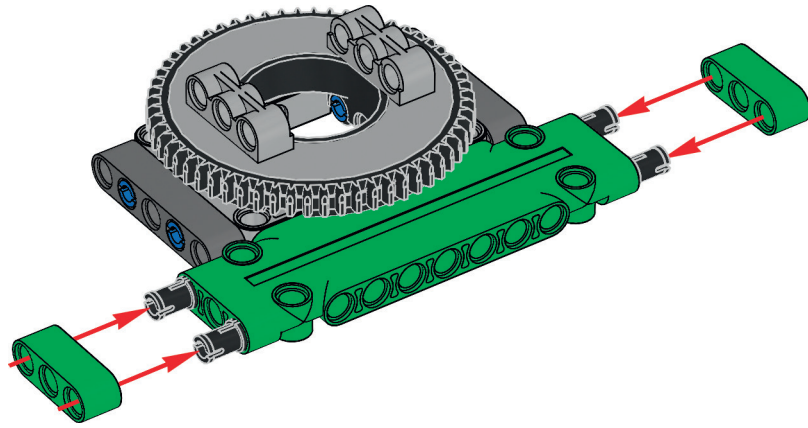
5



4x  
Black

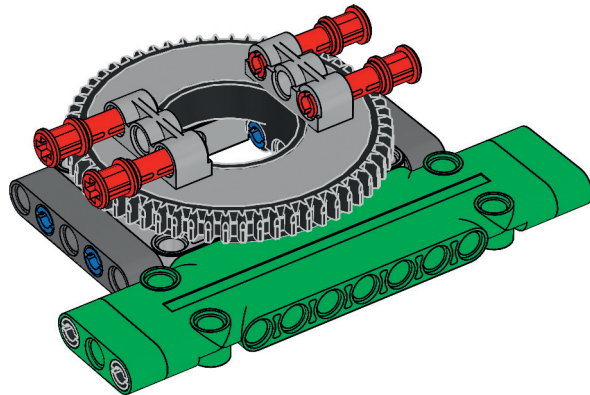
2x  
Green

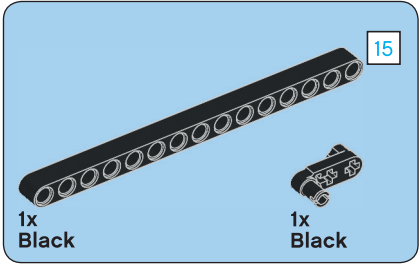
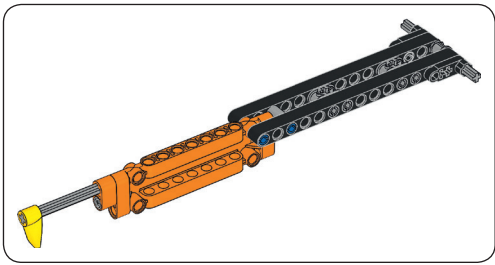
6



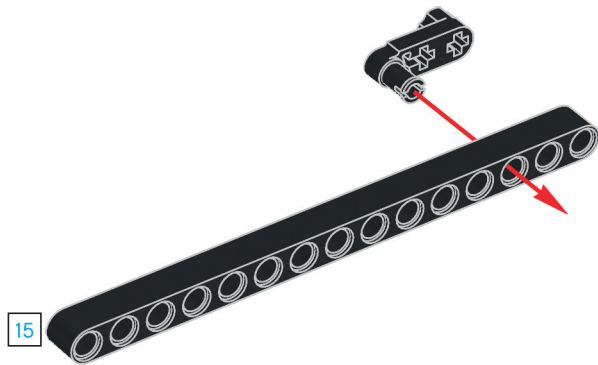
4x  
Red

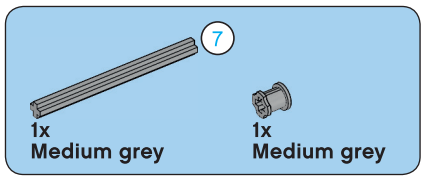
7



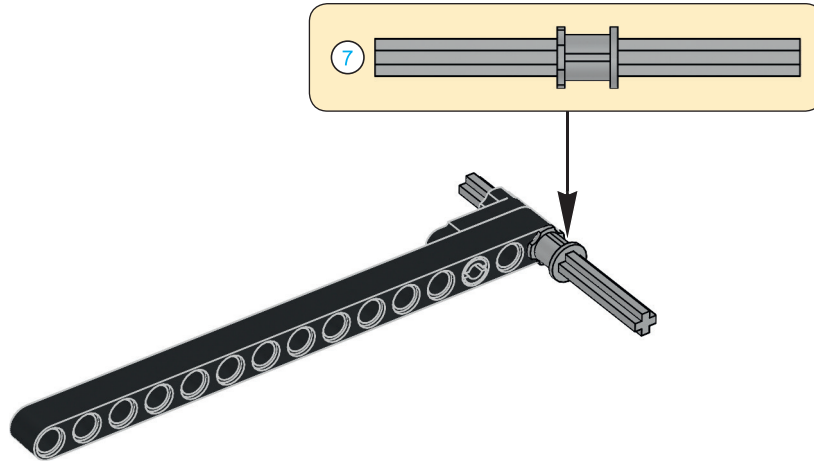


8

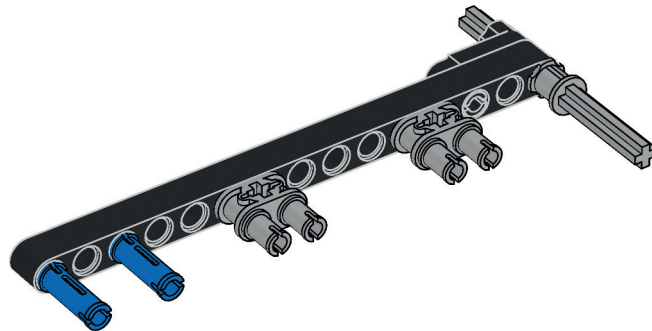


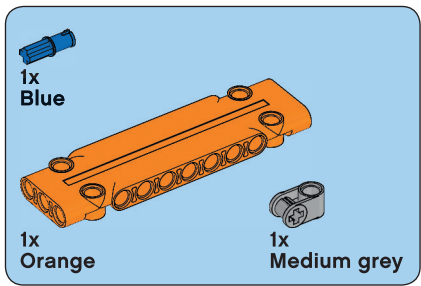


9

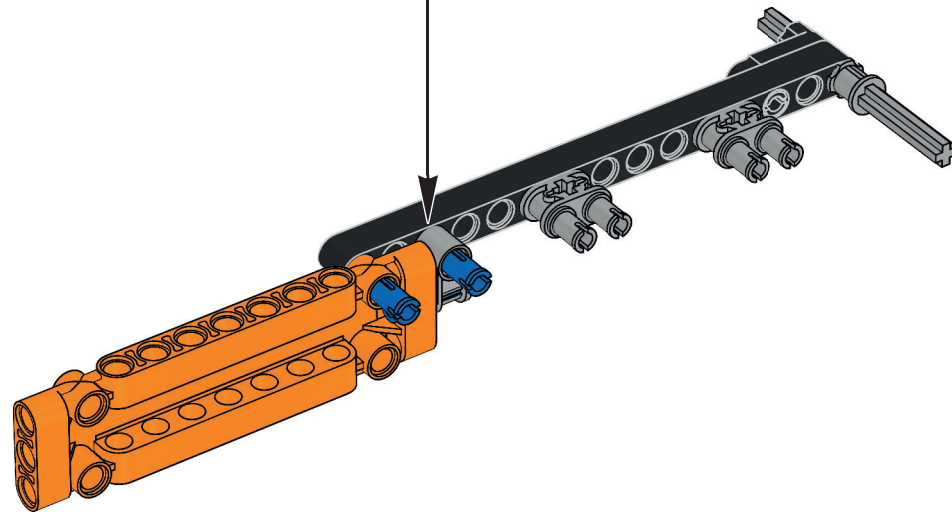
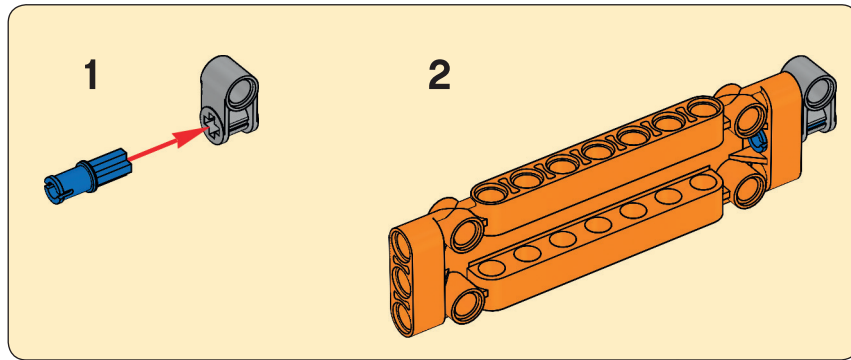


10

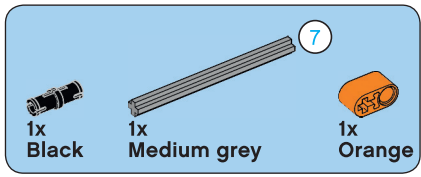




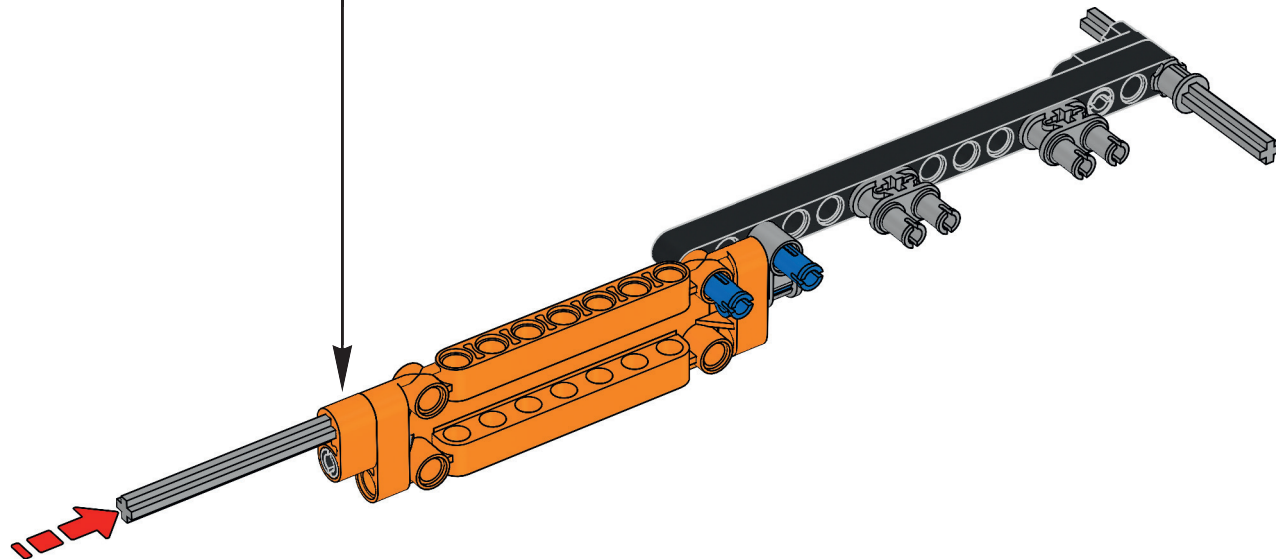
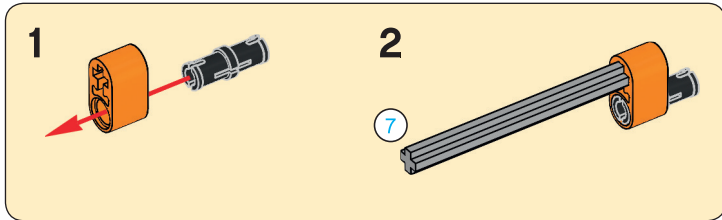
11

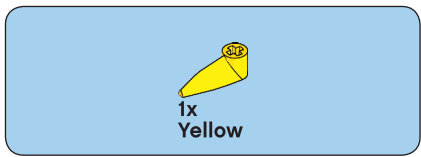




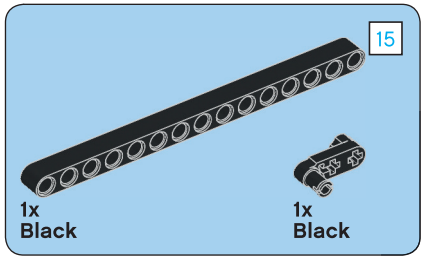
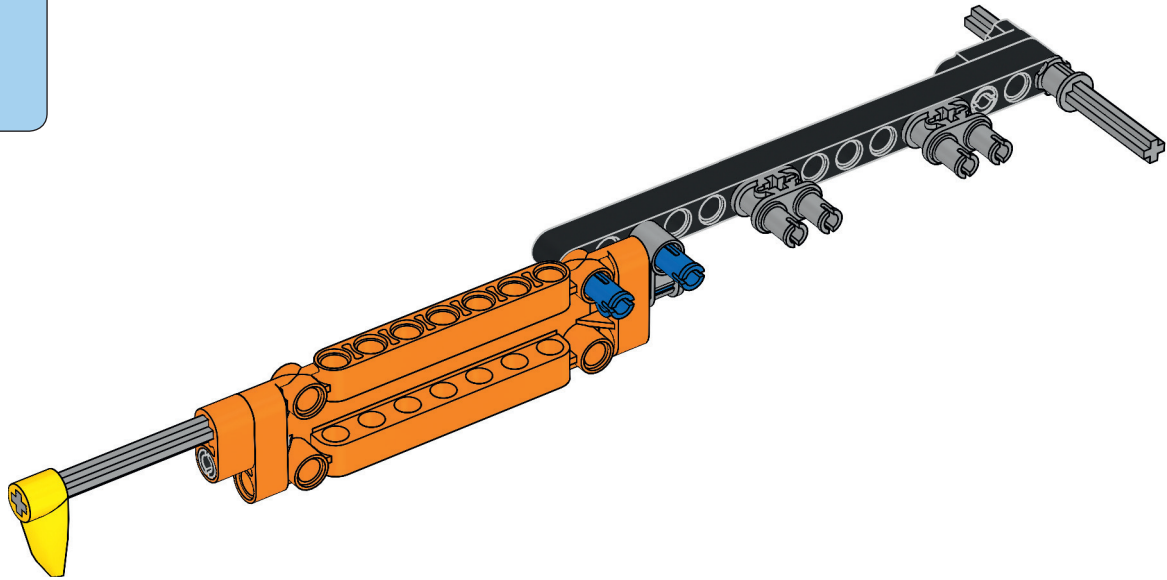


12

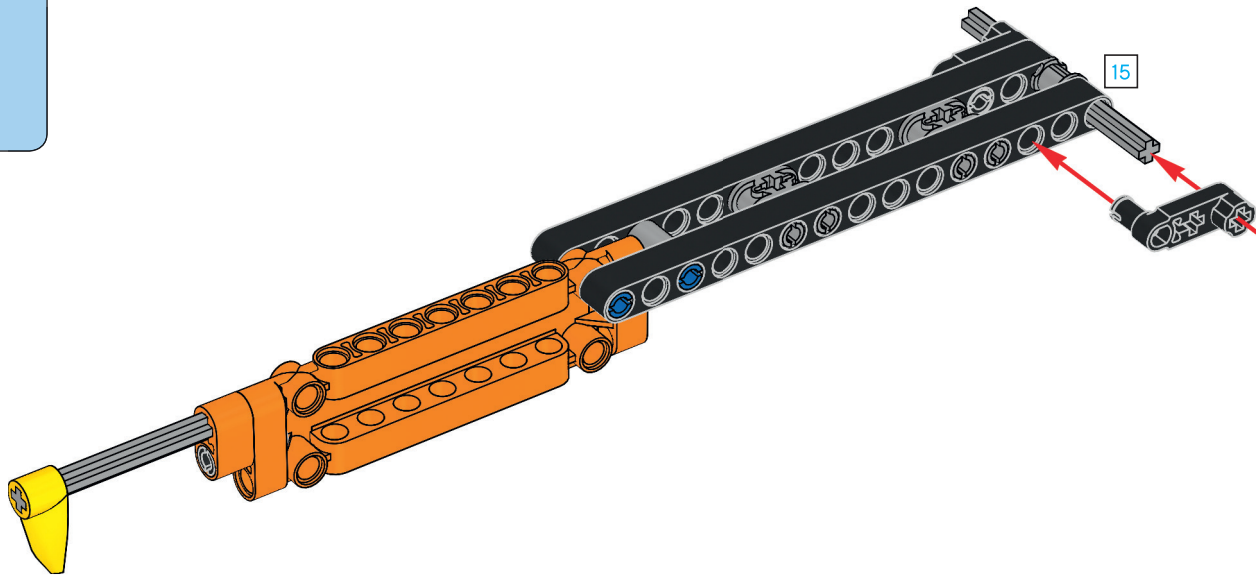




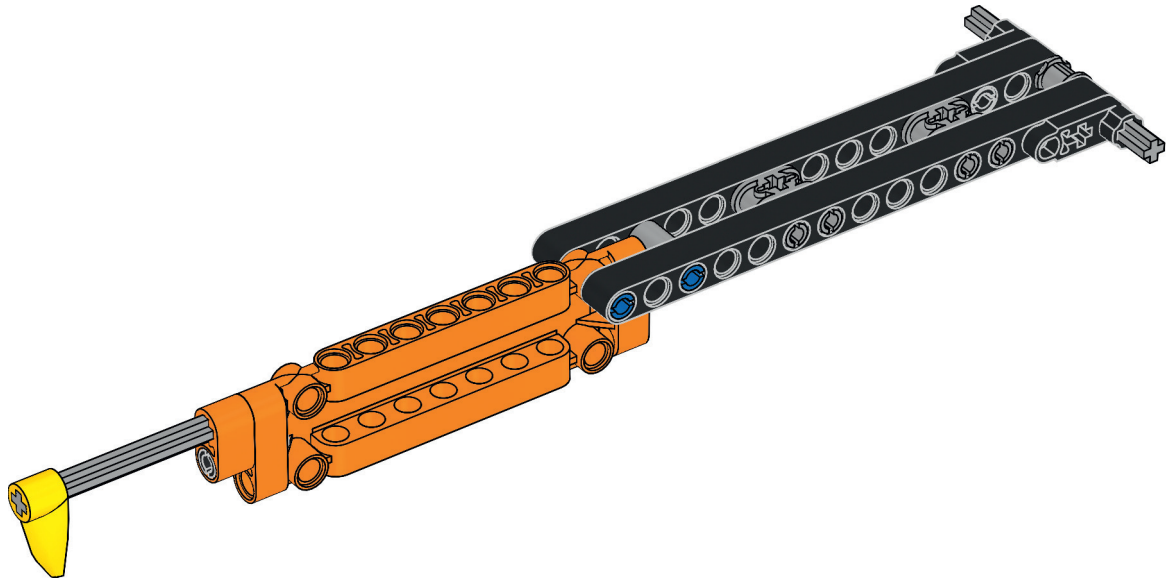
13



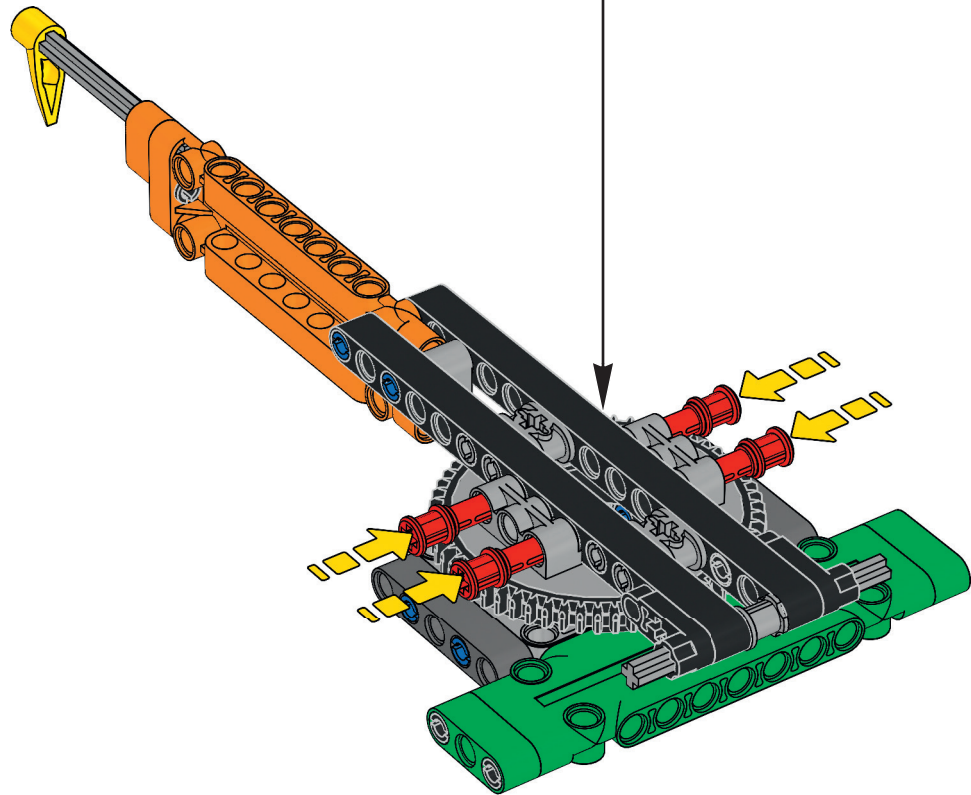
14



15



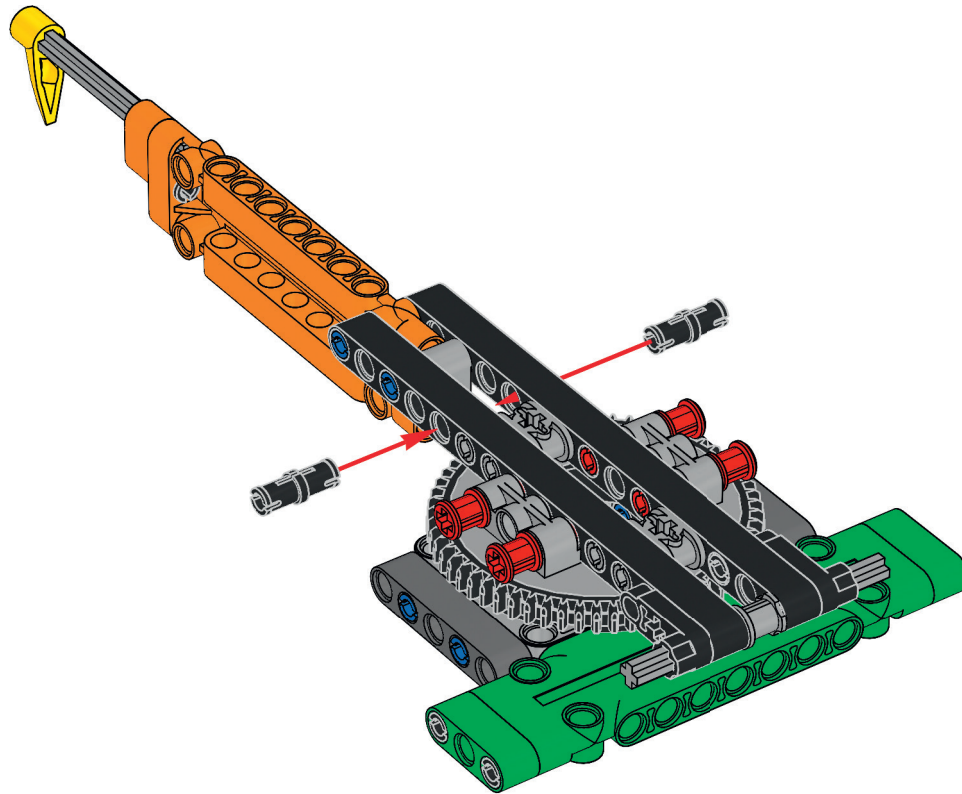
16

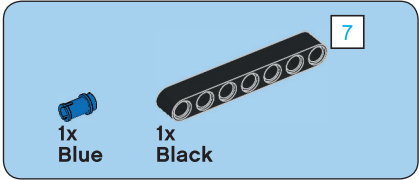
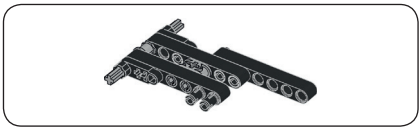




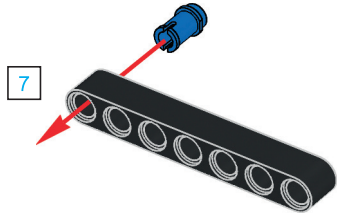
2x  
Black

17

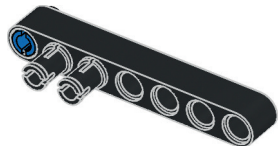


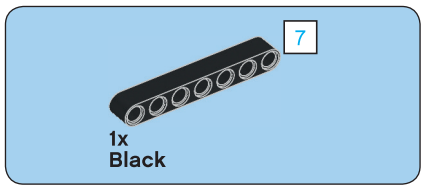


18

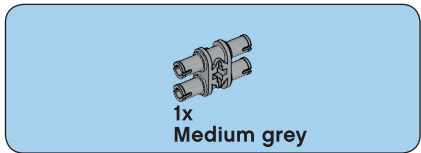


19

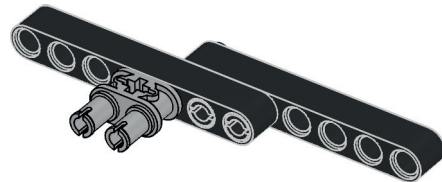




20

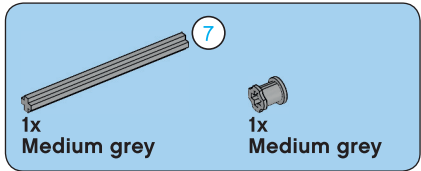
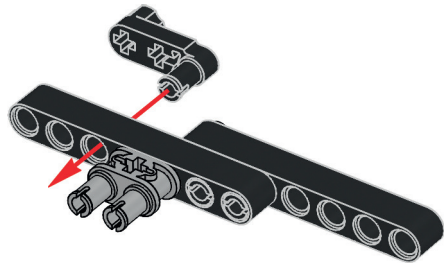


21

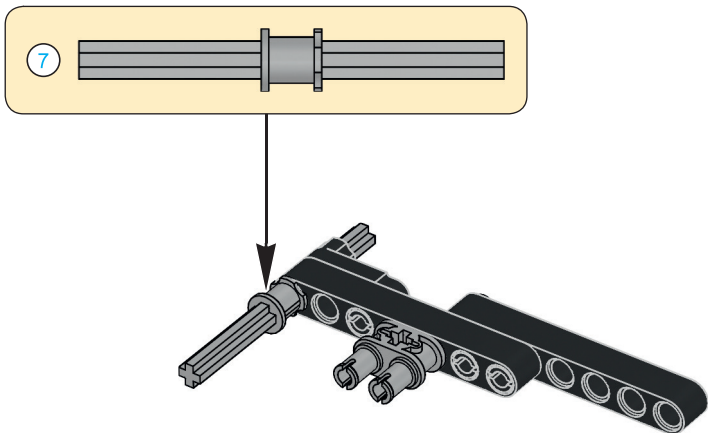


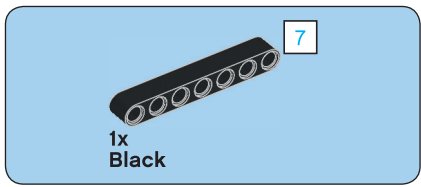


22

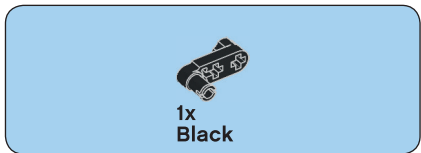
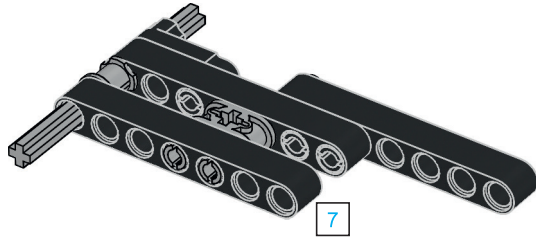


23

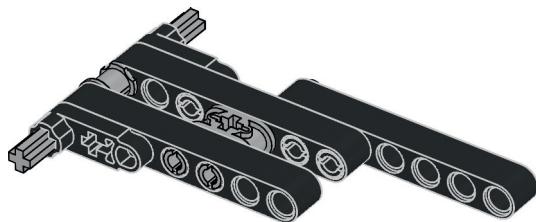




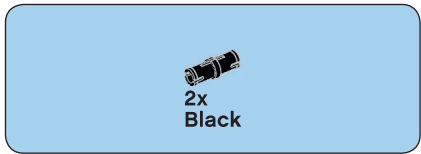
24



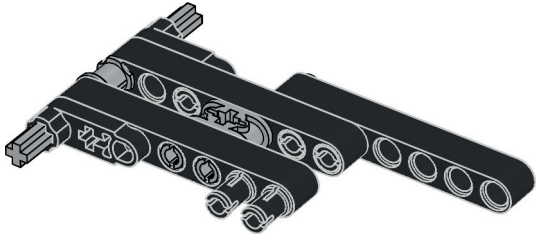
25



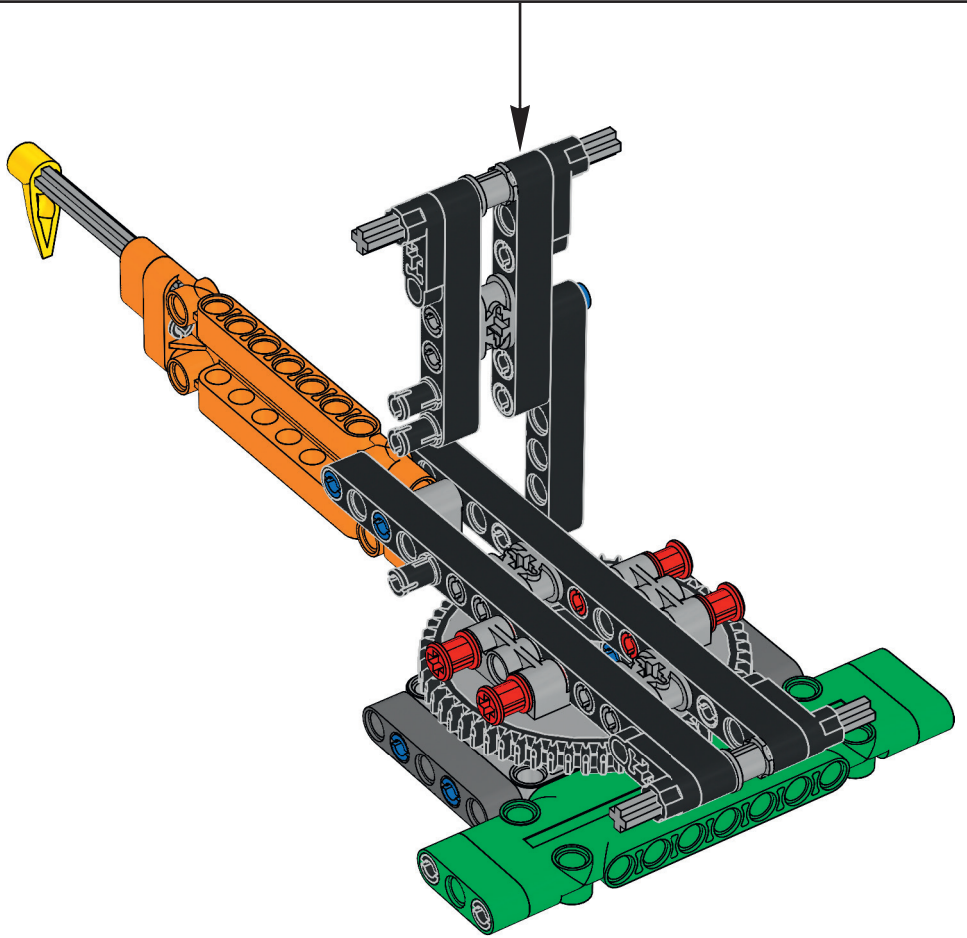


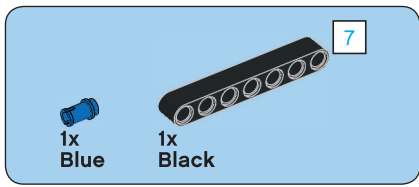


26

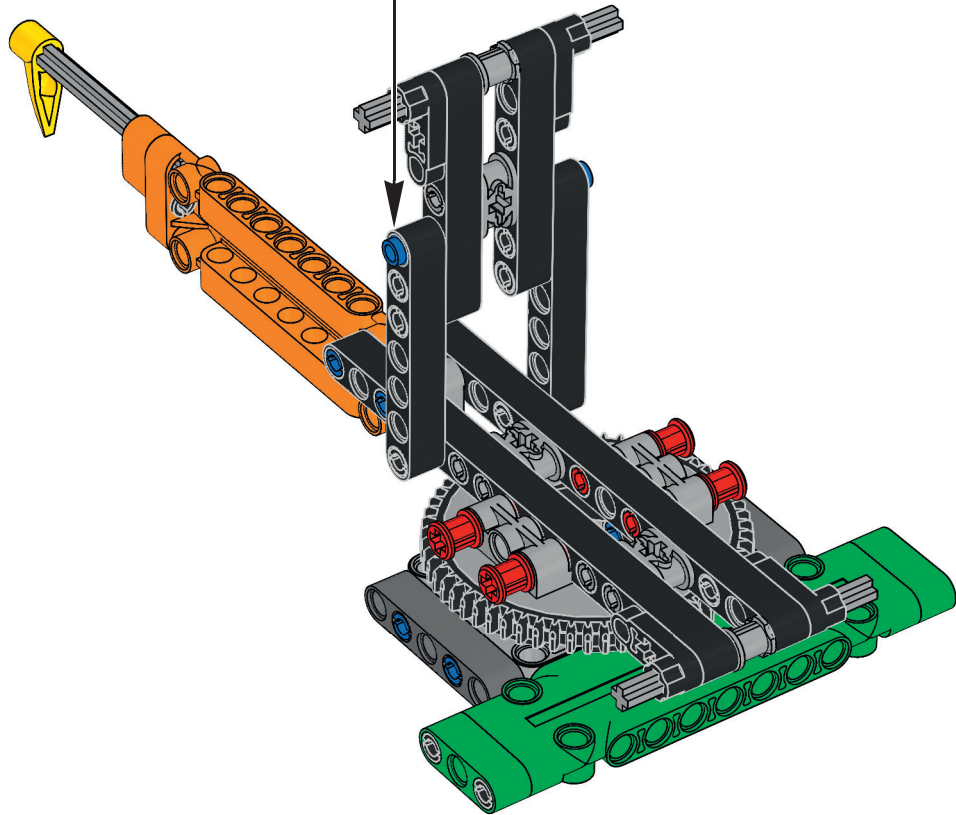
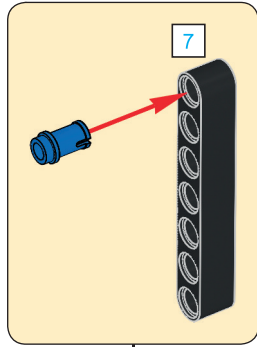


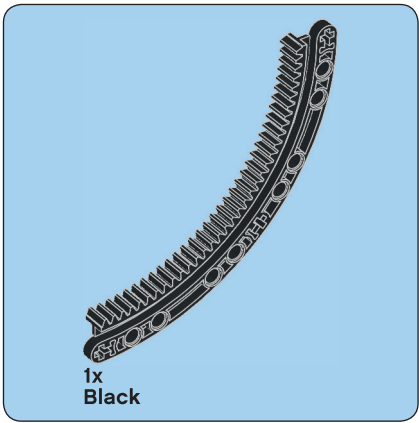
27



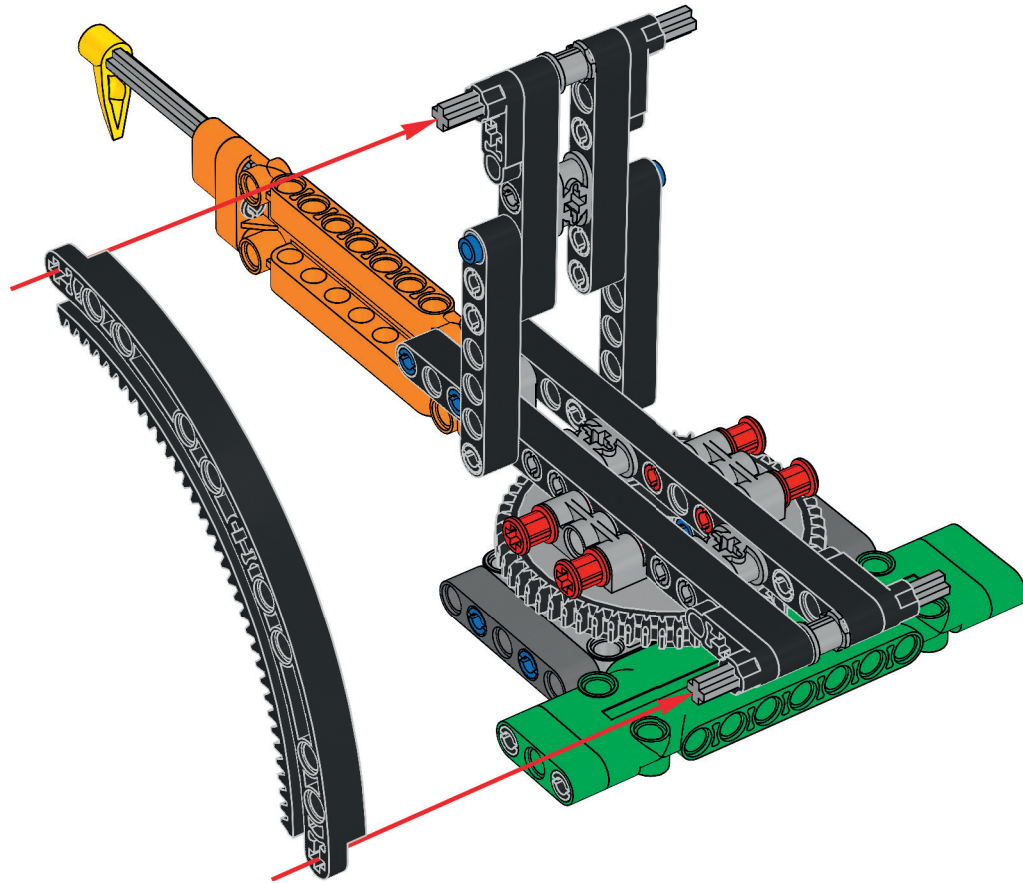


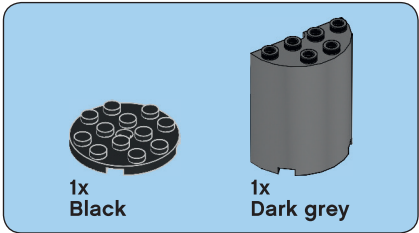
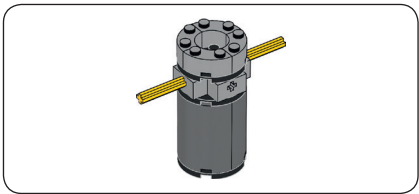
28



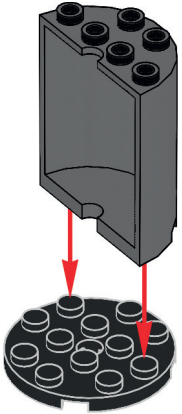


29



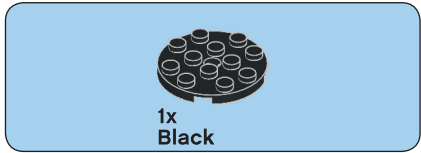


30



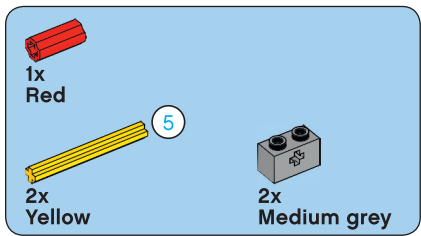


31

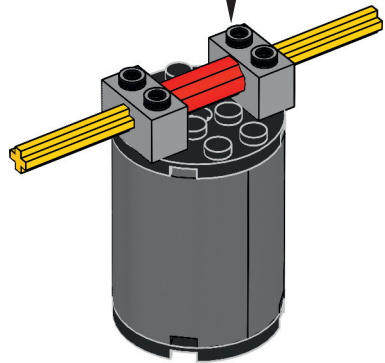
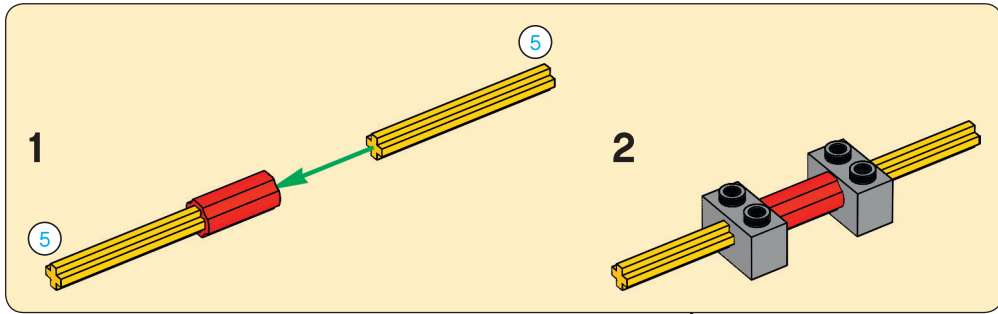


32





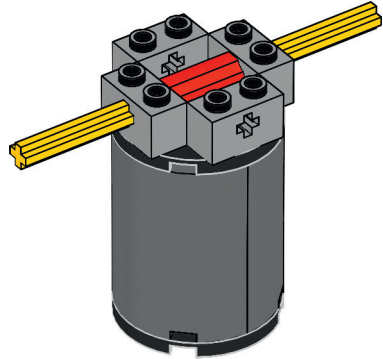
33





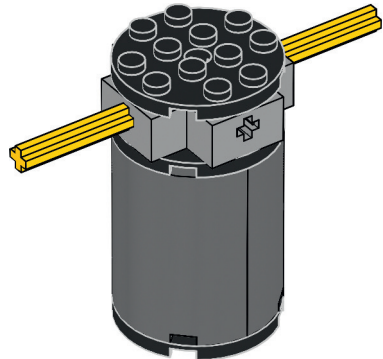
2x  
Medium grey

34



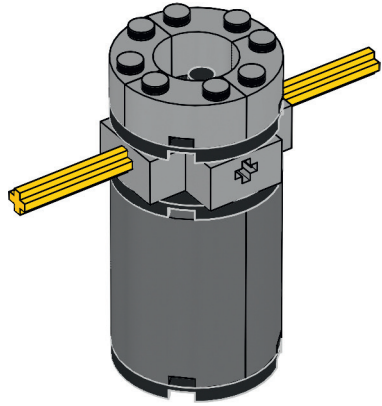
1x  
Black

35

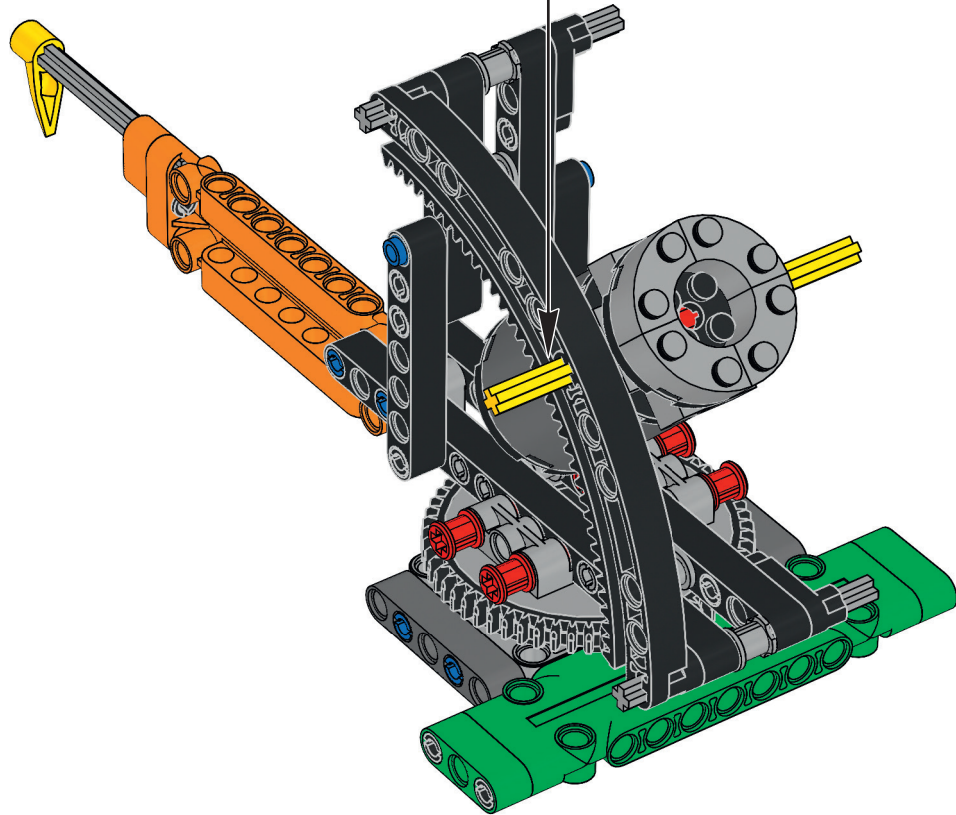


4x  
Medium grey

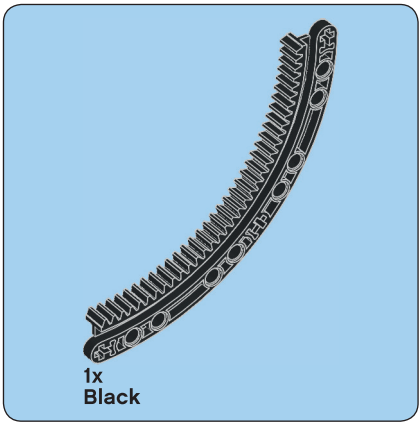
36



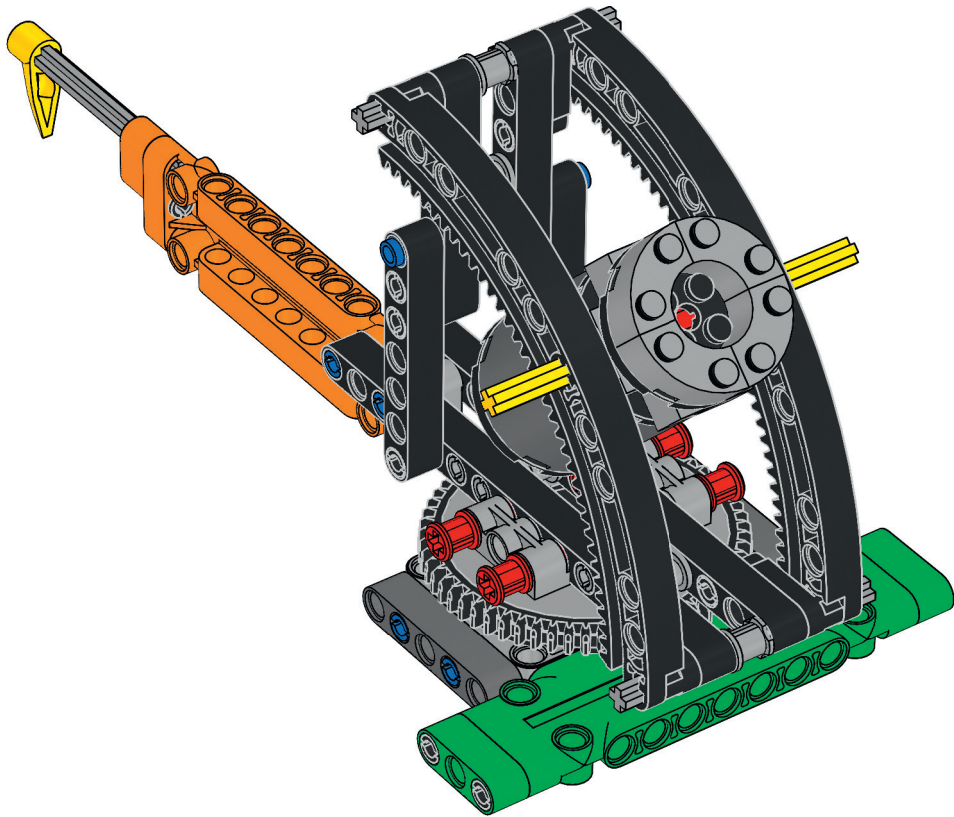
37

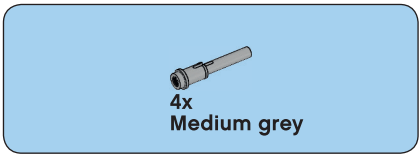




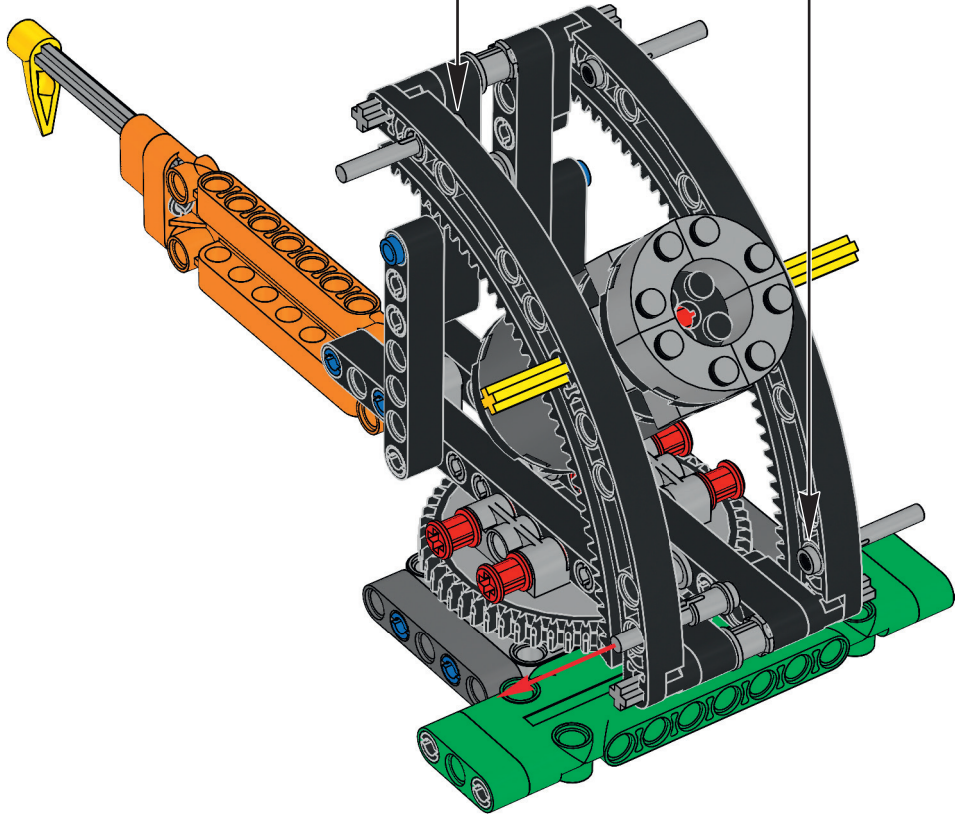
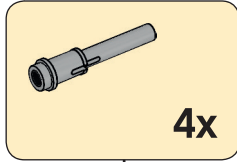


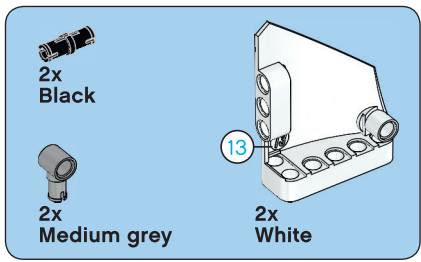
38



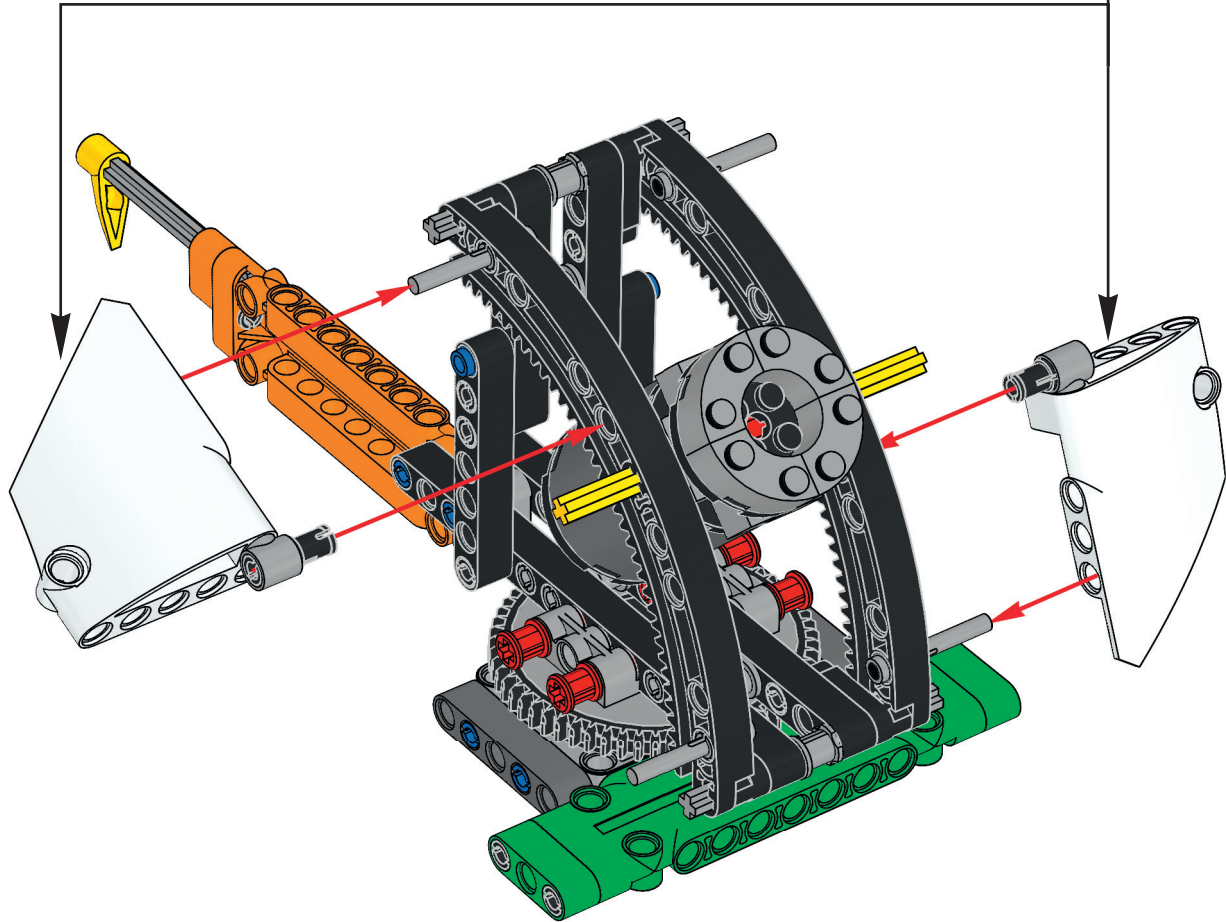
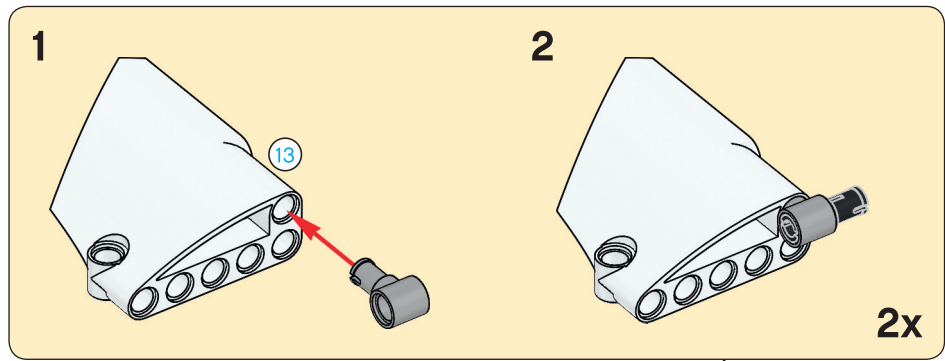


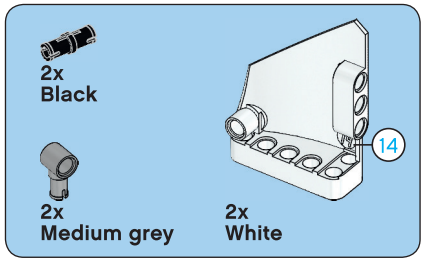
39



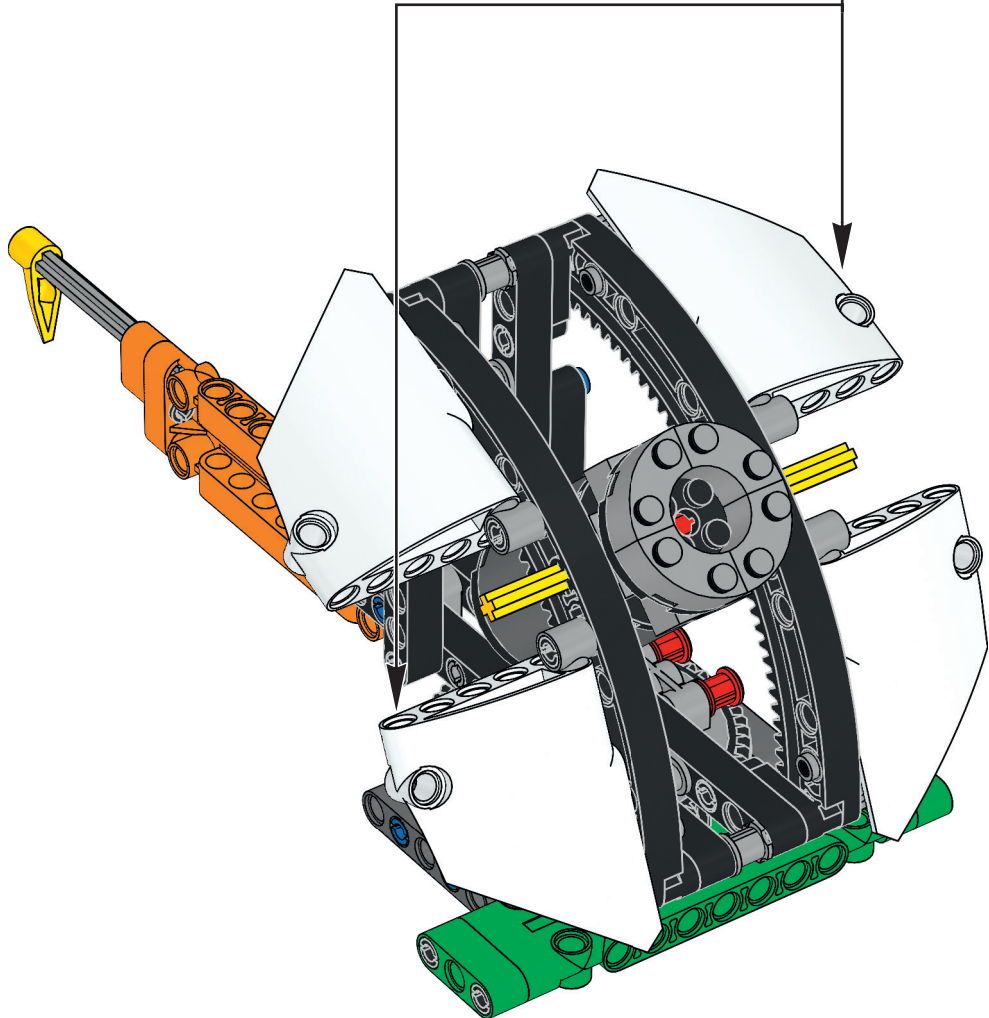
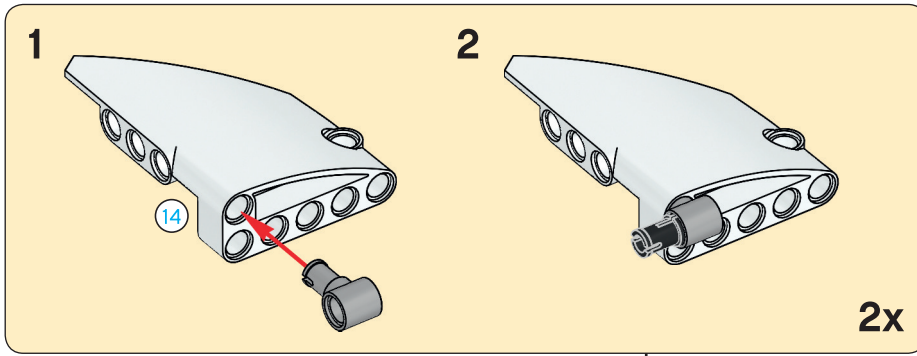


40





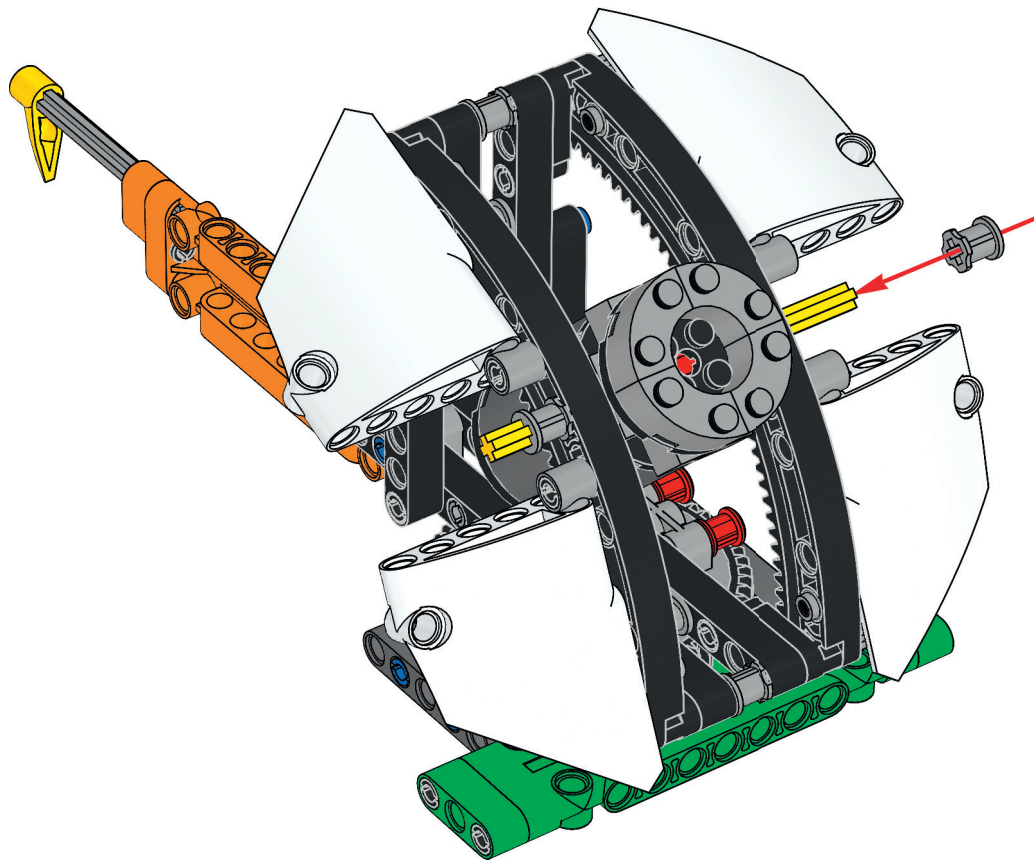
41





2x  
Medium grey

42



4x  
White

4x  
White

2x  
Medium grey

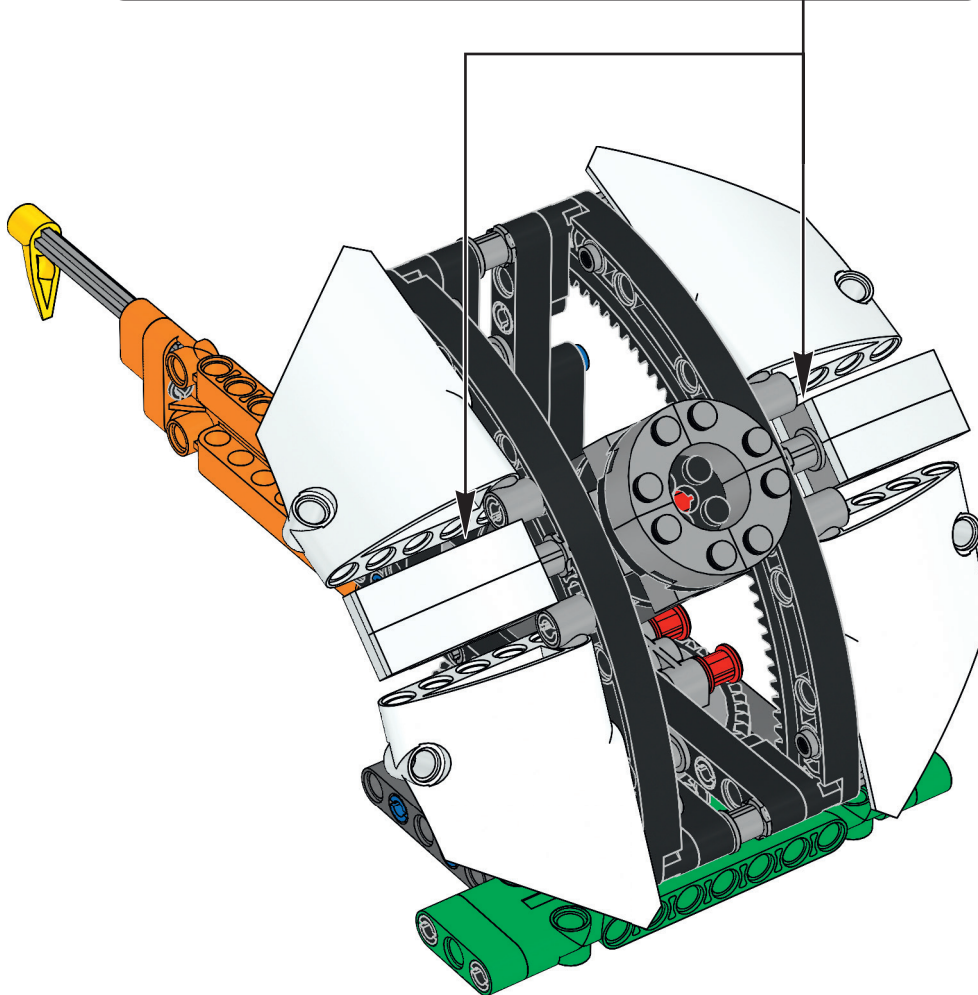
43

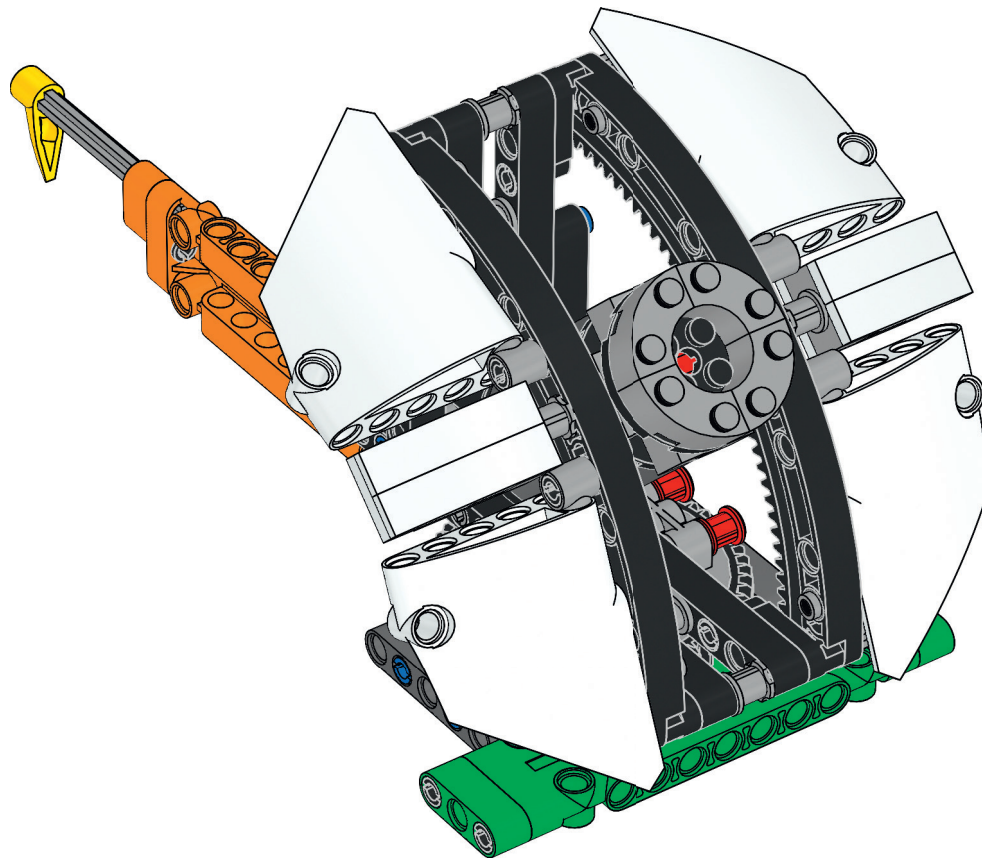
1

2

3

2x





## BAG 9

LEGO and the LEGO logo are trademarks of the/son des marques de commerce du/son marcas registradas de LEGO Group. ©2018 The LEGO Group.

FIRST® is a registered trademark of For Inspiration and Recognition of Science and Technology (FIRST). LEGO® is a registered trademark of the LEGO Group. FIRST® LEGO® League and INTO ORBIT™ are jointly held trademarks of FIRST® and the LEGO Group.

©2018 FIRST® and the LEGO Group. All rights reserved.