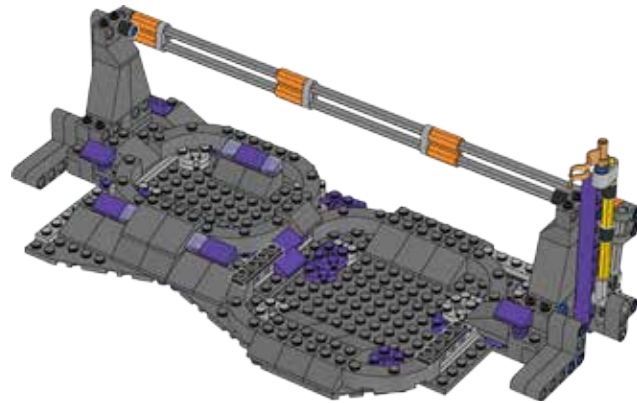
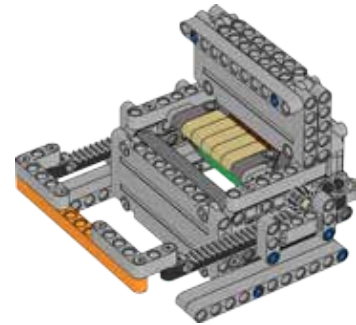
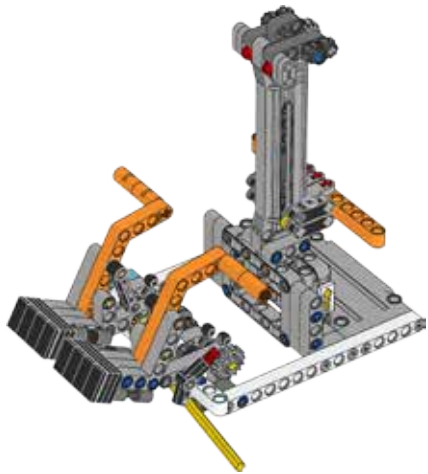


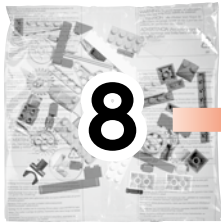
4



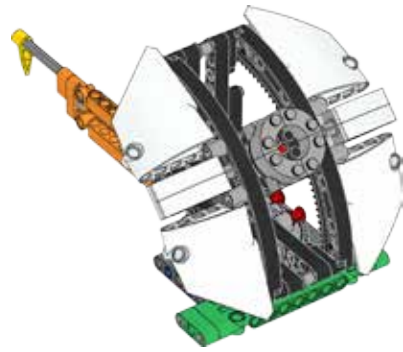


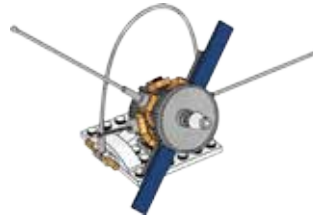
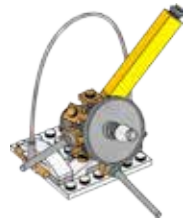












LEGO and the LEGO logo are trademarks of the/son des marques de commerce du/son marcas registradas de LEGO Group. ©2018 The LEGO Group.

FIRST® is a registered trademark of For Inspiration and Recognition of Science and Technology (FIRST). LEGO® is a registered trademark of the LEGO Group. FIRST® LEGO® League and INTO ORBIT™ are jointly held trademarks of FIRST® and the LEGO Group.

©2018 FIRST® and the LEGO Group. All rights reserved.